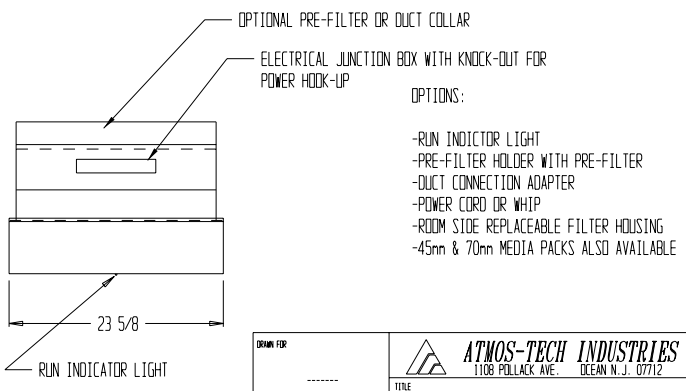
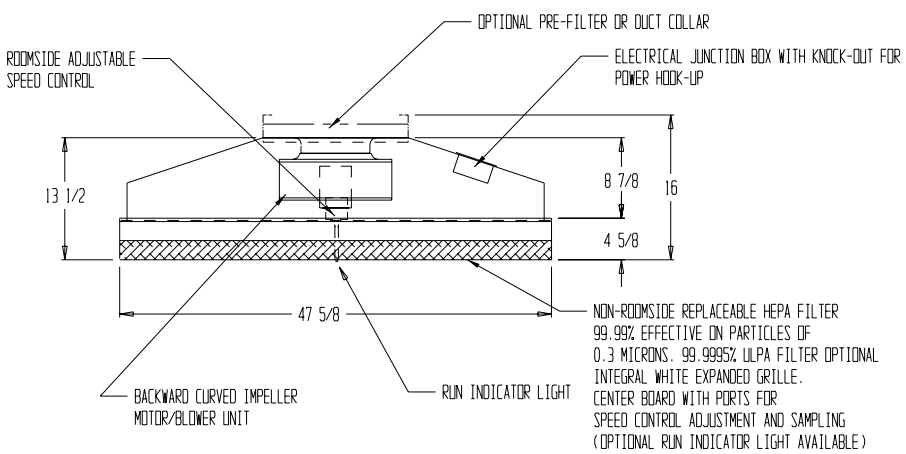


REVISING			
REV	DESCRIPTION	DATE	APPROVED

- NOTES:
- ELECTRICAL TO MEET LATEST NEC CODES
 - UNIT TO BE CAPABLE OF PRODUCING 140 FPM WITH A 53mm MEDIA PACK
 - SOUND LEVEL OF 53 DBA @ 90 FPM
 - AVAILABLE VOLTAGES: 115, 230 AND 277 VAC
 - UNIT POWER CONSUMPTION 160 WATTS MAX
 - COOLING LOAD REQUIREMENT OF 650 BTU/hr
 - UNIT WEIGHT 60 LBS.



DRAWN BY		 ATMOS-TECH INDUSTRIES 1108 POLLACK AVE. OCEAN N. J. 07712	
TITLE		AT2000-1 FAN FILTER UNIT	
DRAWN BY	OK	SIZE	JOB NO.
APPROVED BY		ENG. NO.	171104580
SCALE		DATE	4/25/00
		SHEET	