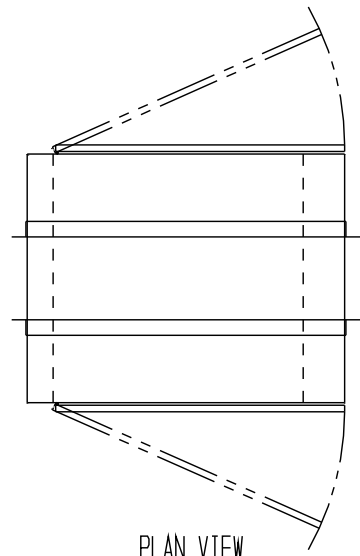


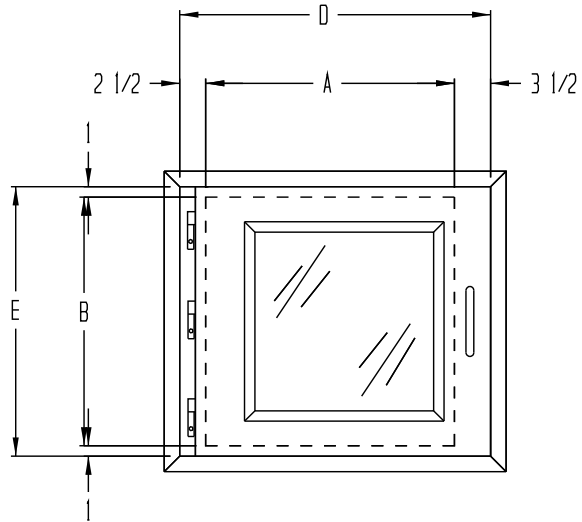
REVISIONS			
REV	DESCRIPTION	DATE	APPROVED



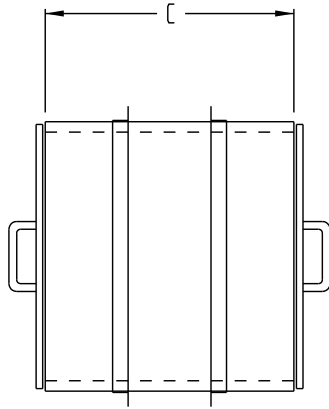
PLAN VIEW

NOTES:

- UNIT FABRICATION TO BE DOUBLE WALL, CONSTRUCTION
- UNIT TO BE CONSTRUCTED OF 20 GA. 304 STAINLESS STEEL WITH #4 FINISH
- DOORS TO BE CONSTRUCTED OF 20 GA. 304 STAINLESS STEEL WITH 1/4" THK. CLEAR ACRYLIC INSERTS, BLACK POWDER COATED PIN HINGES AND STAINLESS STEEL "D" HANDLE
- UNIT TO BE SUPPLIED WITH 1 1/2" X 1 1/2" X 16 GA. 304 STAINLESS STEEL MOUNTING ANGLE (TO BE FIELD INSTALLED)
- UNIT TO HAVE A MECHANICAL DOOR INTERLOCK SYSTEM
- ROUGH OPENING TO BE 1/4" LARGER THAN OUTSIDE DIMENSIONS OF UNIT




FRONT VIEW



SIDE VIEW

MODEL	A	B	C	D	E
PT1212-12	12	12	12	18	14
PT1818-18	18	18	18	24	20
PT2424-24	24	24	24	30	26
PT3030-30	30	30	30	36	32
PT3636-36	36	36	36	42	38

DRAWN FOR		 ATMOS-TECH INDUSTRIES 1108 POLLACK AVE. OCEAN N.J. 07712			
STANDARD		TITLE SS/ST PASS-THRU			
DRAWN BY	SLB	SIZE	JOB NO.	DNQ NO.	1511572BB
APPROVED BY		SCALE	NONE	DATE	1/2/13
				SHEET	